

ELEMENT Cylinder 2" and 3" Conduit Mount

EC_RC 1.0

VISUAL COMFORT & Co.

ARCHITECTURAL COLLECTION

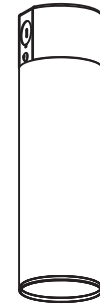
GENERAL PRODUCT INFORMATION:



This product is suitable for damp locations.

This product can be dimmed with a standard electronic dimmer or 0-10V dimmer.

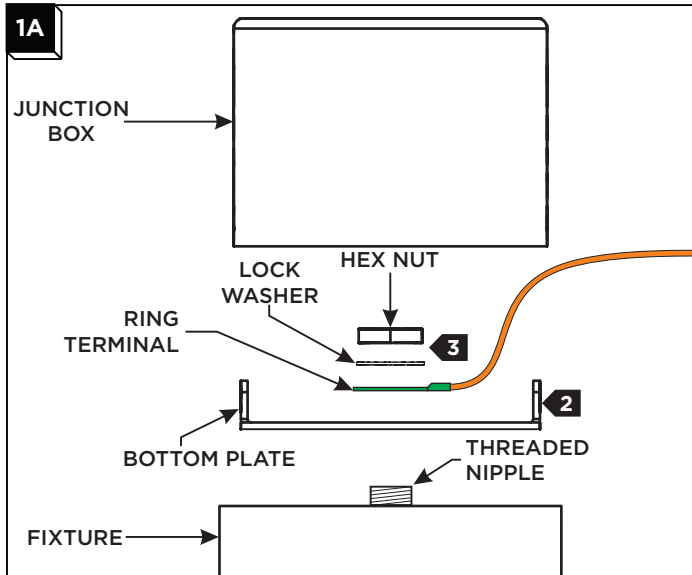
This instruction shows a typical installation.



CAUTION - RISK OF FIRE
 This product must be installed in accordance with the applicable installation code by a person familiar with the construction and operation of the product and the hazards involved.
Use minimum 90°C supply conductors.

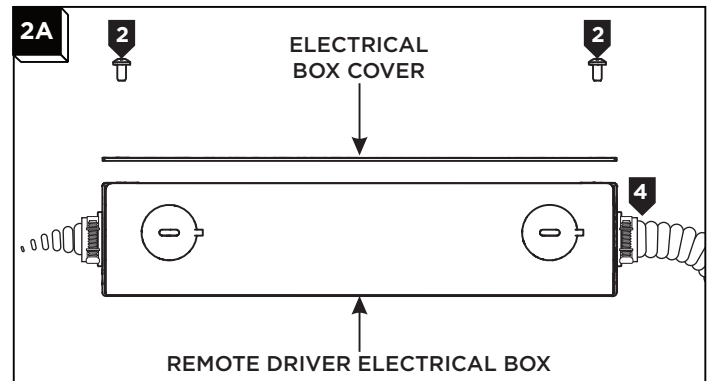
SAVE THESE INSTRUCTIONS!

Prepare the fixture



- 1** Separate the bottom plate from the junction box.
- 2** Install the bottom plate to the fixture by sliding it onto the threaded nipple.
- 3** Place the ring terminal, then the lock washer on to the nipple, and secure them in place with the provided hex nut.

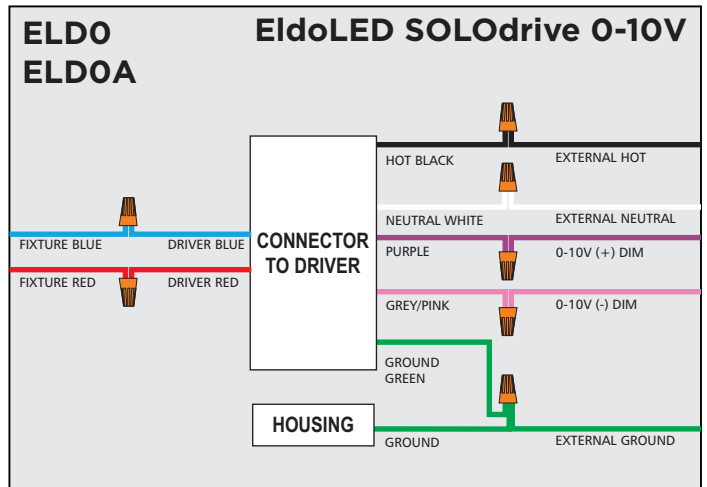
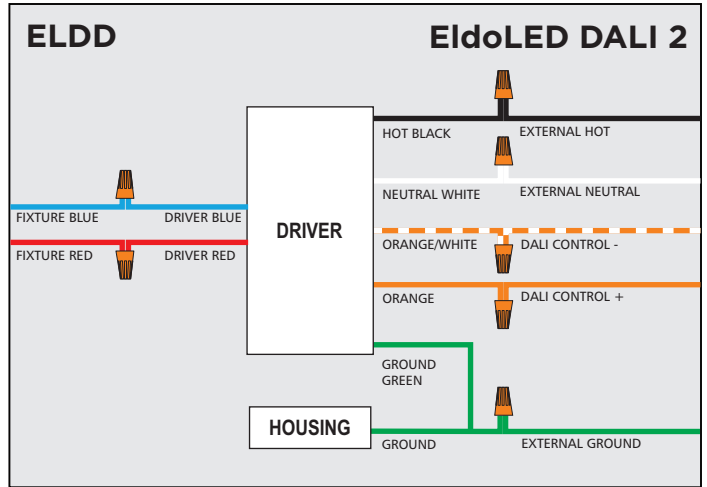
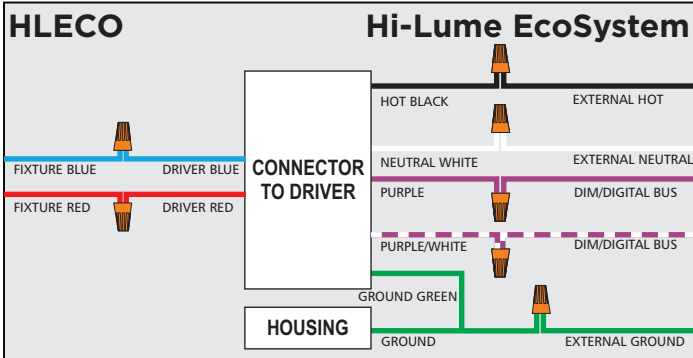
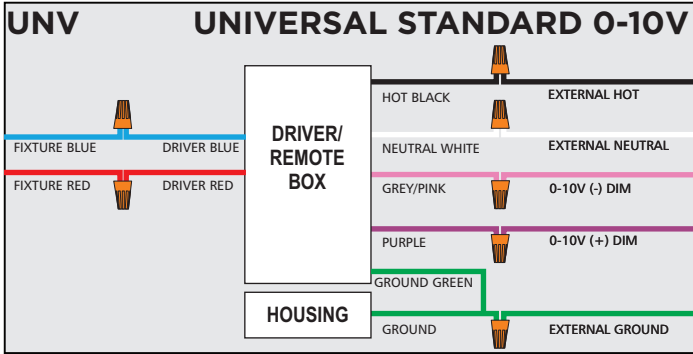
Install and Wire the Remote Electrical Box



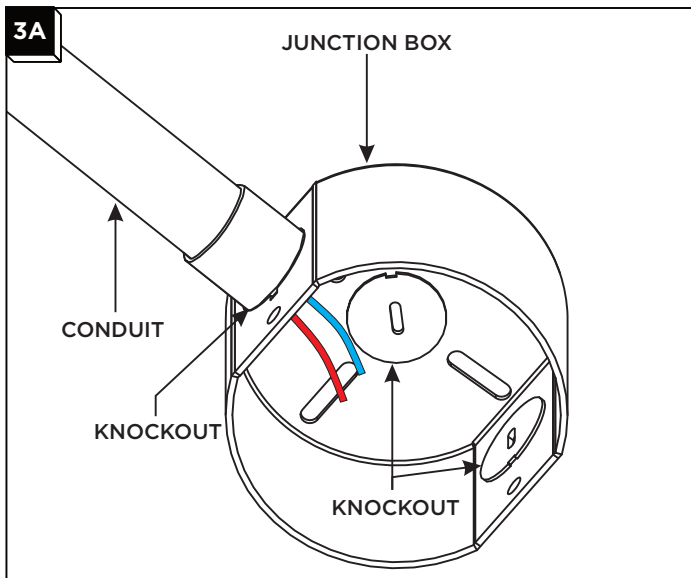
- 1** Install the remote driver electrical box, to a relatively close location to the custom junction box, in accordance with local electrical code.
- 2** Open the remote driver junction box by removing 2 screws.
- 3** Use the following wiring diagrams to wire the driver accordingly.
- 4** Install the conduit to the remote electrical box and run the low-voltage wires to the fixture install location.

Wiring Diagrams

WARNING: Do not connect red and blue wires from fixture to line voltage.

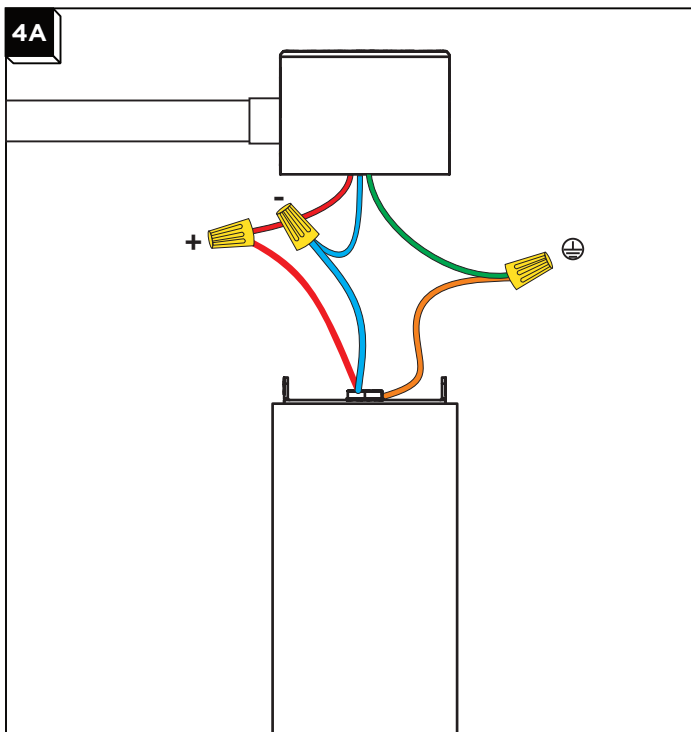


Install the Custom Junction Box



- 1 Install the conduit from the remote electrical box to the custom electrical box using the needed knockouts.

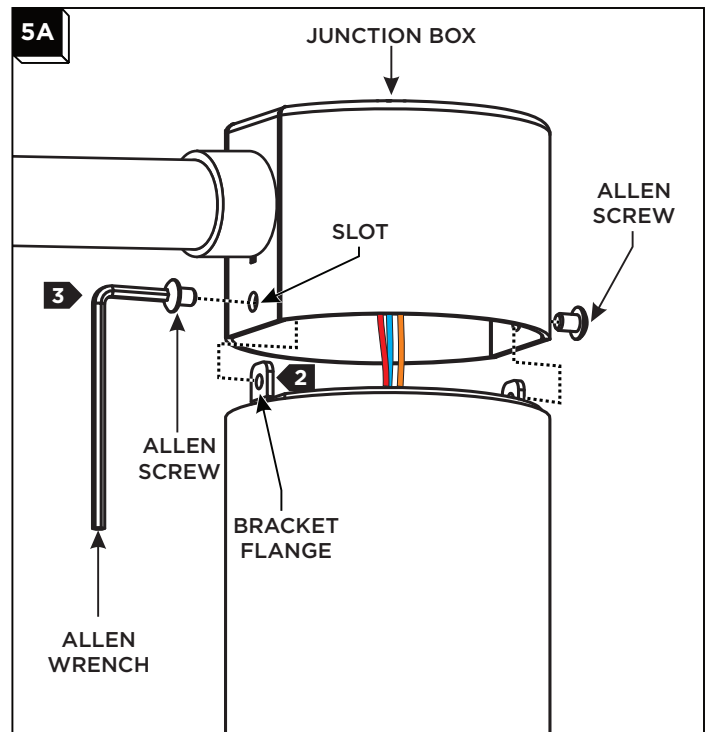
Wire the Fixture



- 1 Connect the fixture to the low voltage wires (see wiring diagrams).

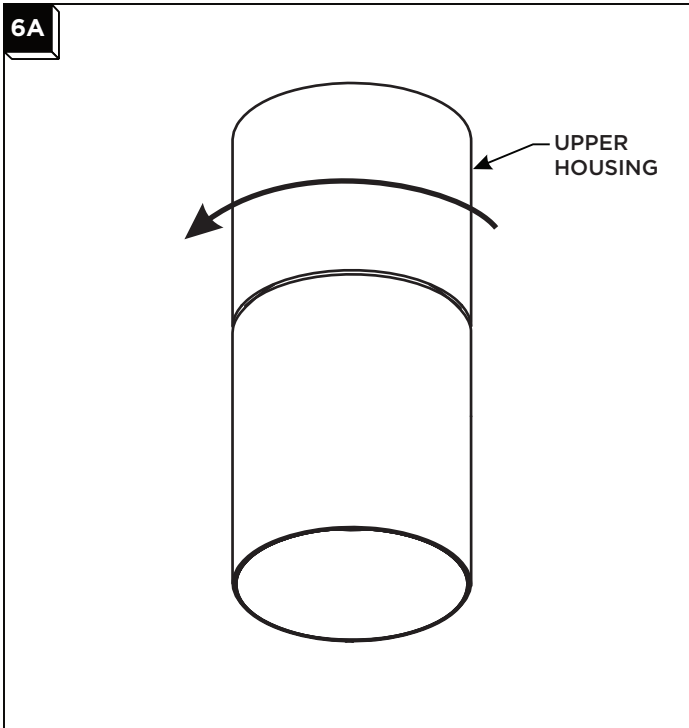
Caution: Make Sure to cap the 0-10V dimming wires if not being used.

Install the Fixture



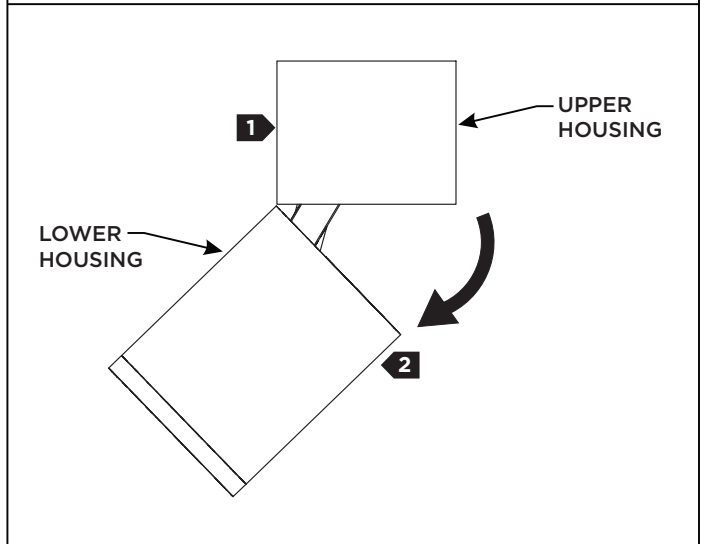
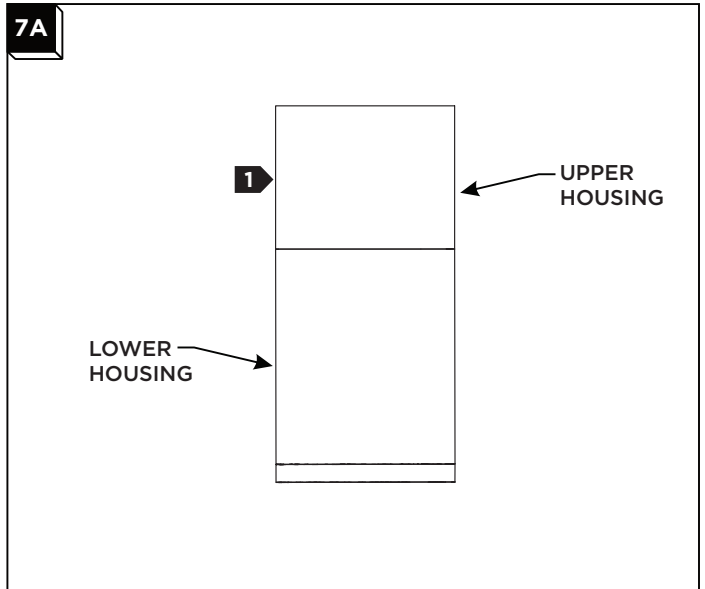
- 1 Neatly place all wires and wire nut connections inside the junction box.
- 2 Align the Cylinder so that the slots in the bracket flanges line up with the slot in the junction box, then ensure the fixture sits flush with the junction box.
- 3 Use the provided Allen wrench and Allen screws to secure the fixture in place.

Rotate the Cylinder



- 1 For the adjustable and 3" wall wash fixture: rotate the cylinder using the upper portion of the housing, up to 358°, to the desired light position.

Adjust the Angle (Adjustable only)

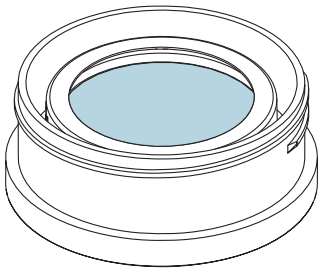
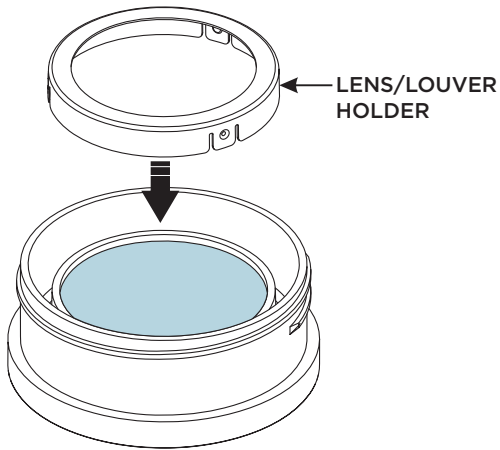
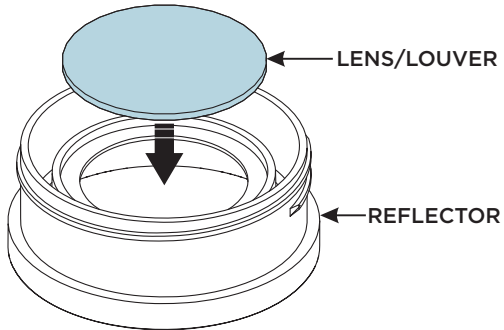


- 1 Hold the upper portion of the housing with one hand for support.
- 2 With the other hand, pull the lower portion of the housing away to adjust the tilt (0° - 90°). Note: the fixture may need to be rotated to see where the hinge is located.

Install the Reflector Accessory

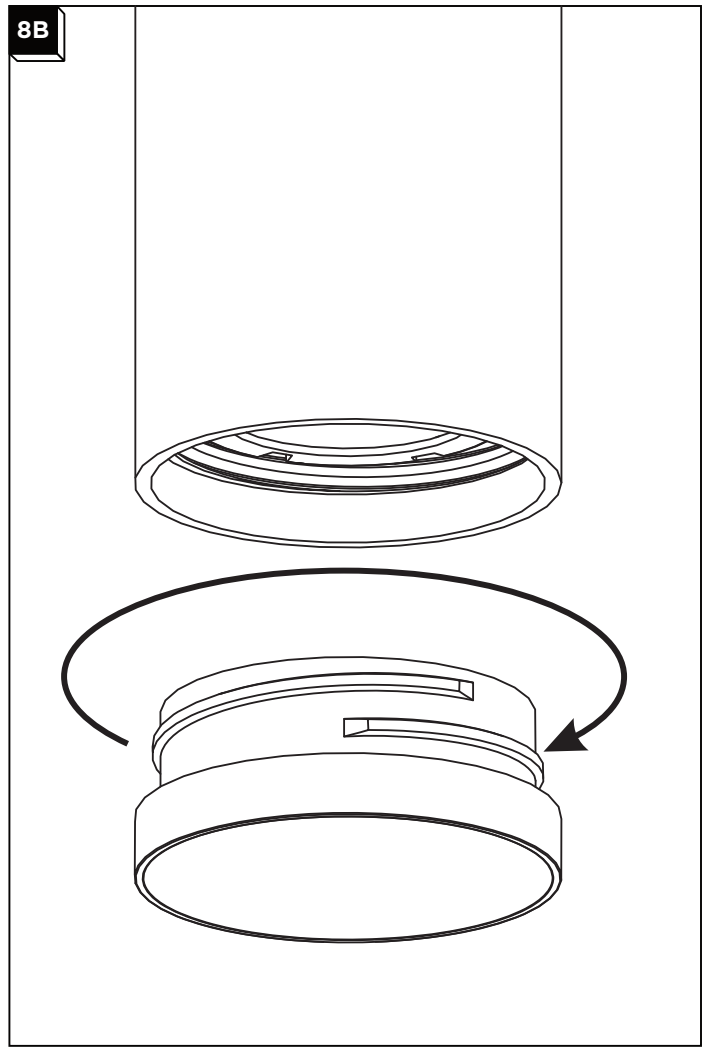
NOTE: Lenses and louvers are not compatible with decorative accessories.

8A



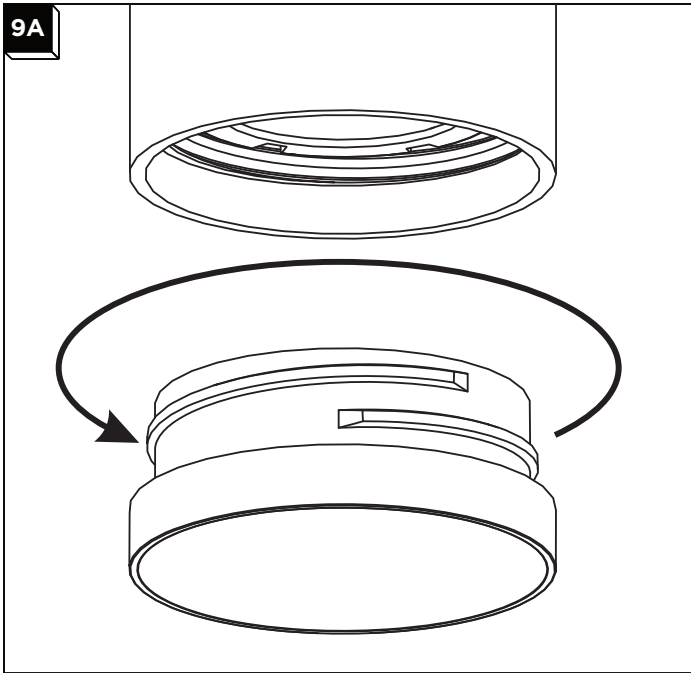
- 1 In the accessory reflector place the lens or louver.
- 2 Firmly press the lens holder down onto the lens or louver to secure it.

8B

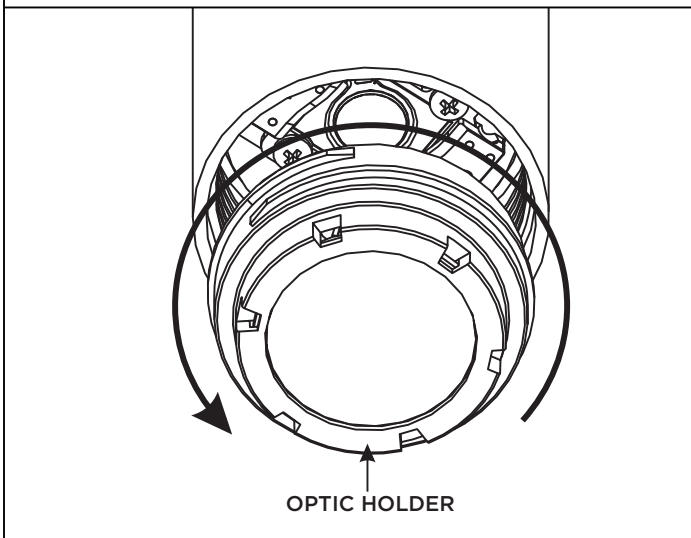
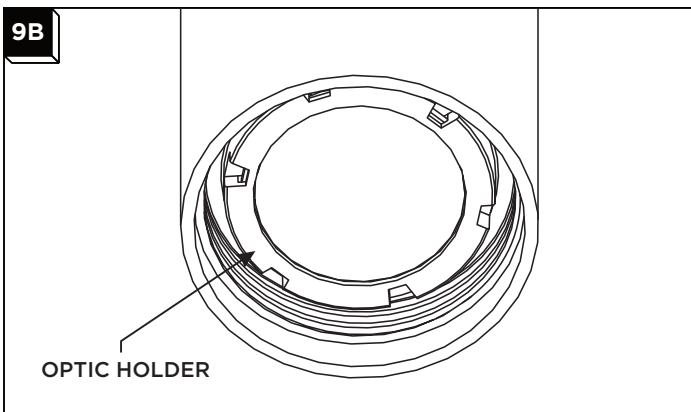


- 3 Install the reflector by inserting it into the bottom of the Cylinder and screw it in as far as it will go.

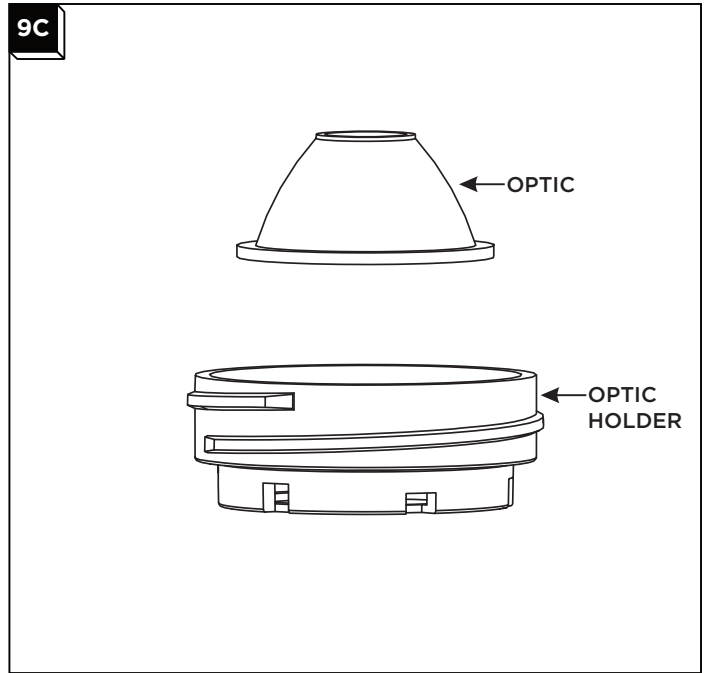
Replacing the Optic



- 1** Hold the main body of the Cylinder, unscrew and remove the reflector.



- 2** Unscrew the optic holder. Note: if the holder is too tight to initially turn by hand, a tool may be used to carefully turn it by grabbing one of the holes on the holder.



- 3** Remove the old optic and replace with new, ensuring it is seated evenly and properly in the holder.

- 4** Reinstall the reflector by inserting it into the bottom of the Cylinder and screw it in as far as it will go. (reversal of section 11A).

Notes:

